

## C-2 Mini Station

Versatile 2" probe station capable of  
DC and RF measurements

Introducing the worlds smallest, yet reliable and stable probe station. This station offers additional flexibility compared to existing probe stations on the market. The following highlights some key features:

### - 20 kg Weight

- Share instruments if they're not accessible in your lab!
- Equipped with 10x-150x optical zoom 5MP digital microscope

### - 320 mm x 320 mm Footprint (360 mm x 340 mm for RF Model)

- Place in glove box for dry environment (hot/cold or sensor tests)
- Placed on top of an optical table directly under solar simulator

### - For Chips and Dies

- One-off testing separate from production testing
- Best suited in academic use

### - Versatile Application

- Platen can accommodate up to 8 DC probes
- Station can be used up to 4-port RF measurements
- High voltage applications capable

# C-2 MINI STATION

## Your Partner in Probing Solutions

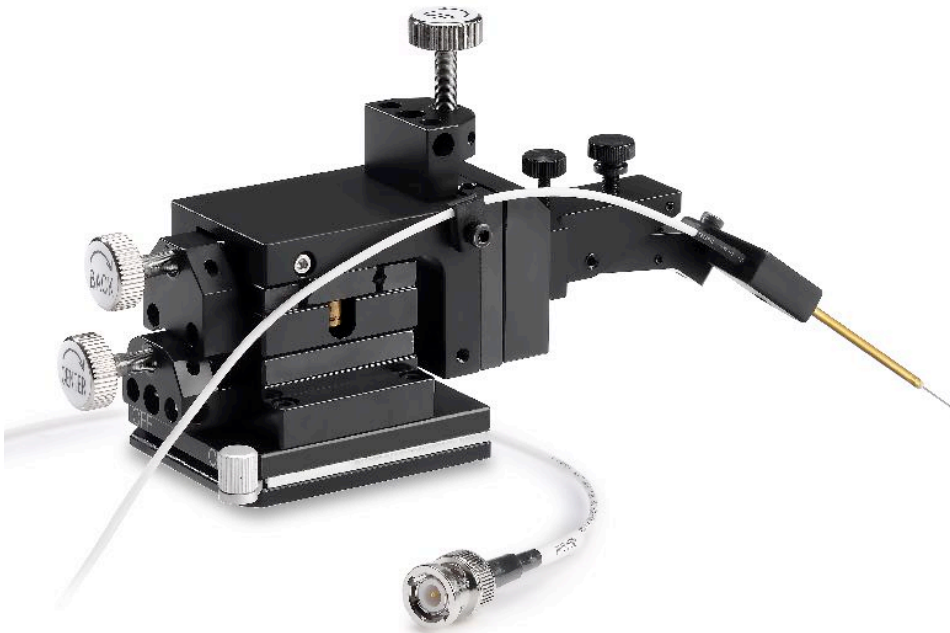
### Station Specifications

Station Footprint	320 mm W x 320 mm D
Station Height	140 mm (to Platen)/280 mm (to Microscope)
Station Weight	20 kg
Platen Material	Hard Chrome Plated Steel
Platen Dimension	80 mm Inner, 320 mm Outer
Platen Capacity	8 DC or 4 RF 2 DC
Positioner Mount	Magnetic ON/OFF Switch
No. of Vacuum Switches	4
Vibration Isolation	Passive Honeycomb x4 (2Hz)
Chuck Stage Type	Coaxial
Chuck Travel Range	2" x 2"
Chuck Quick Resolution	25 mm/rev
Chuck Fine Resolution	2 $\mu$ m
Chuck Theta Travel	360°
Chuck Theta Resolution	0.01°
Chuck Z-Motion	4 mm Range
Chuck Movement	Bevelled Gear and Rack 0.8mm Pitch
Chuck Size	3" (76 mm)
Chuck Planarity	3 $\mu$ m
Chuck Rigidity	15 $\mu$ m / 10 N @ edge
Chuck Vacuum Grooves	Center, 0.5", 1.5", 2.5" (Individually Controlled)
Chuck Bias Capacity	Up to 2 kV
Chuck Isolation	5 G $\Omega$
DUT Size Range	2 mm - 76 mm
Microscope Type	Digital via USB
Microscope Optical Zoom	10x - 150x
Microscope Sensor Resolution	5 MP
Microscope Working Distance	234 mm - 30 mm (10x - 150x)

# C-2 MINI STATION

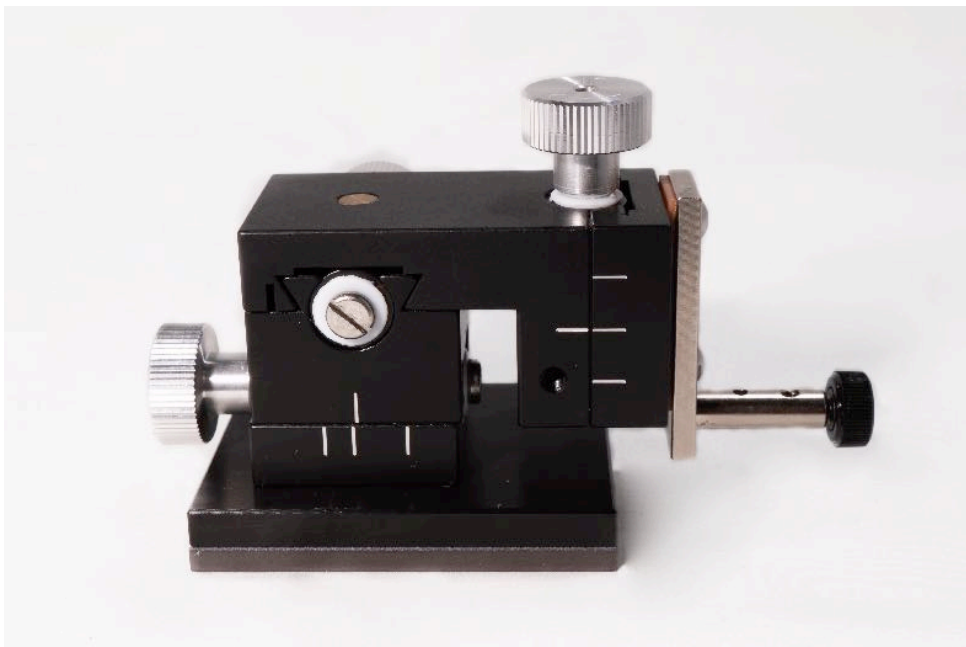
## Micropositioner and Tip Holder Options

All micropositioners offer X-Y-Z linear-motion travel with no backlash with mounting options including magnet, vacuum or magnet switch



### EB-050

- 1  $\mu\text{m}$  resolution
- Linear 12 mm X-Y-Z Travel
- 52 mm W x 96 mm D x 76 mm H
- 550 g
- RF Capable with 2",4" stations



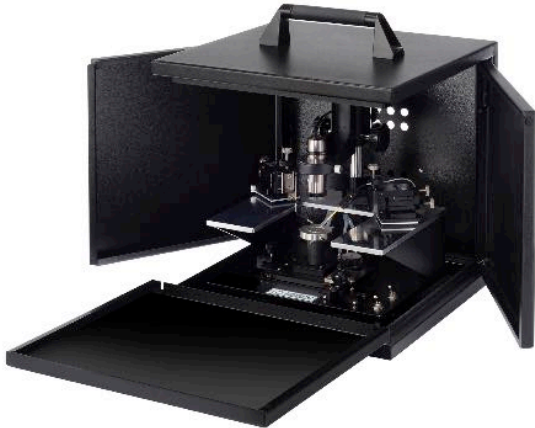
### EB-700

- 2  $\mu\text{m}$  resolution
- Linear 12 mm X-Y-Z Travel
- 38 mm W x 62 mm D x 45 mm H
- 200 g

# C-2 MINI STATION

## Accessories and Options

Add some customizations to your C-2 station with some options below. For more options, please consult with us or our local dealer.



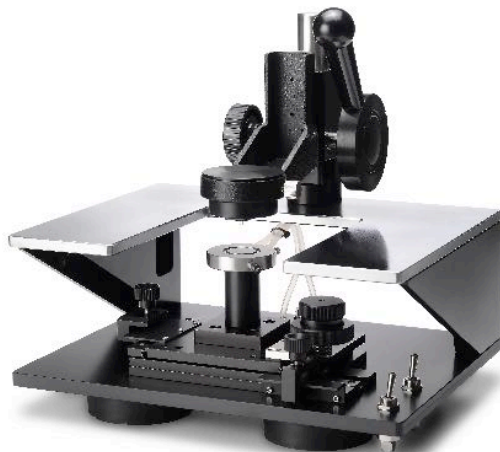
### Shielding Box Carrying Case

- Feedthroughs for electrical connection
- Fan-out door style for easy setup and operation



### Hot Chuck

- 200 ° C option for C-2
- 0.5 ° C resolution
- Water cooling tank optional



### Four Point Probe Mode

- Switch microscope for four point probe head
- Perform sheet resistivity measurements with one system